

## Pinacho ML-18 SC 200



### Beskrivelse

Drejælængde 1000mm  
Pinolhøjde 200mm  
spindelboring 42mm  
på lager i uge 49  
>Variable speed headstock  
>Tailstock  
>Cast iron pedestals  
>Electronic and mechanic brake  
>Norton box  
>4 positions tool post  
>Headstock electric lubrication  
>Chip collecting tray  
>Centralized carriages lubrication  
>Coolant equipment  
>Retractable chuck guard  
>Slideable carriage guard  
>Rear splash guard  
>Rigid guard of leadscrew  
>Emergency stopper  
>LED lighting  
>Thread meter dial  
>Two fixed centers and reducing bush

### Detaljer

Ref	1944
Pris	DKK 99.500,-



\*Picture of model ML-18 / 200x750

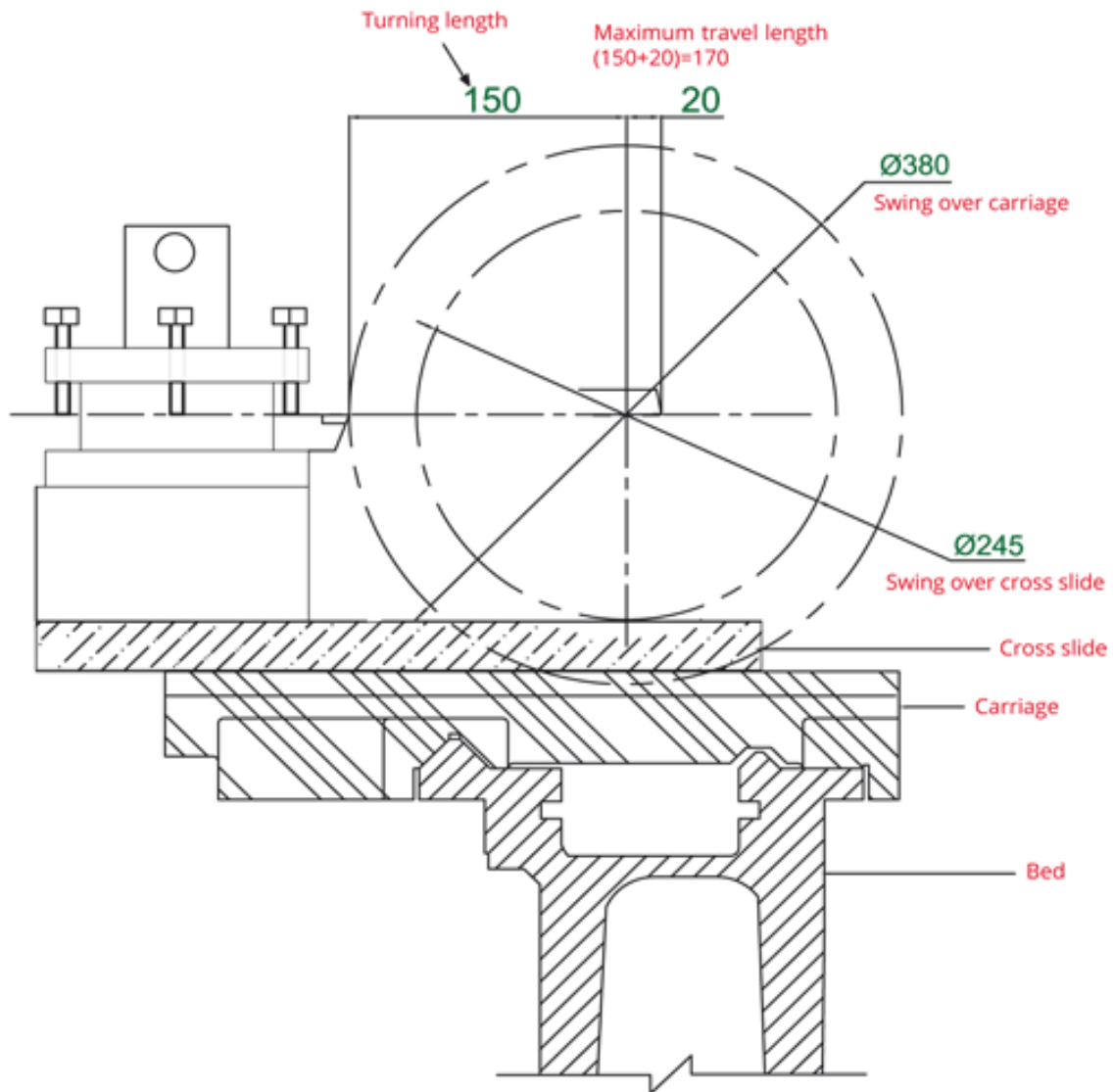
### >Standard equipment

- >Variable speed headstock
- >Cast iron pedestals
- >Electronic and mechanic brake
- >Norton box
- >4 positions tool post
- >Headstock electric lubrication
- >Chip collecting tray
- >Centralized carriages lubrication
- >Coolant equipment
- >Tailstock
- >Retractable chuck guard
- >Slideable carriage guard
- >Rear splash guard
- >Rigid guard of leadscrew
- >Emergency stopper
- >LED lighting
- >Thread meter dial
- >Two fixed centers and reducing bush

>Technical specifications

MODEL		ML-18 / 200x750	ML-18 / 200x1000
Type of headstock		Headstock with electronic variable speed	
Center distance	mm / in	750 / 30	1000 / 40
Center height	mm / in	200 / 8	
Swing over bed	mm / in	402 / 16	
Swing over gap	mm / in	560 / 22	
Gap length from face plate	mm / in	120 / 5	
Swing over carriage	mm / in	380 / 15	
Swing over cross slide	mm / in	245 / 9 ½	
Cross slide travel	mm / in	200 / 8	
Top slide travel	mm / in	110 / 4 ¼	
Bed width	mm / in	250 / 10	
Headstock main spindle bore	mm / in	42 / 1 ¼	
Main spindle nose	ASA / CAMLOCK	A2-5 / D1-5	
Main spindle morse taper	MT	4	
Speed ranges	Range 1	r.p.m.	40-280
	Range 2	r.p.m.	280-815
	Range 3	r.p.m.	815-2300
Norton box threads and feeds		44	
Longitudinal feeds	mm/rev	0.05-0.752	
Cross feeds	mm/rev	0.025-0.376	
Metric threads	mm	0.5-7.5	
Whitworth threads	T.P.I.	60-4	
Modular threads	mm	0.25-3.75	
Diametral Pitch threads	D.P.	120-8	
∅ Leadscrew	mm / in	35 / 1.37	
Lead screw rod pitch	mm / in	6 / 1 ¼	
∅ tailstock quill	mm / in	58 / 2 ¼	
Tailstock quill travel	mm / in	180 / 3	
Tailstock morse taper	MT	4	
Tool shank	mm / in	20 x 20 / ¾ x ¾	
Steady rest capacity (small // big)	mm / in	10-125 / ½-5	110-200 / 5½-8
Follow rest capacity	mm / in	10-80 / ½-3	
Main motor power	kW	4	
Coolant pump power	kW	0.1	
Total length	mm / in	2000 / 78 ¾	2250 / 88 ½
Total width	mm / in	650 / 25 ½	
Total height	mm / in	1500 / 59	
Total weight	Kg / lb	1430 / 650	1590 / 722
Verification standard		DIN 8605	

> Tool interference diagram ML-18 / 200



\*Valid for manual 4 positions tool post.